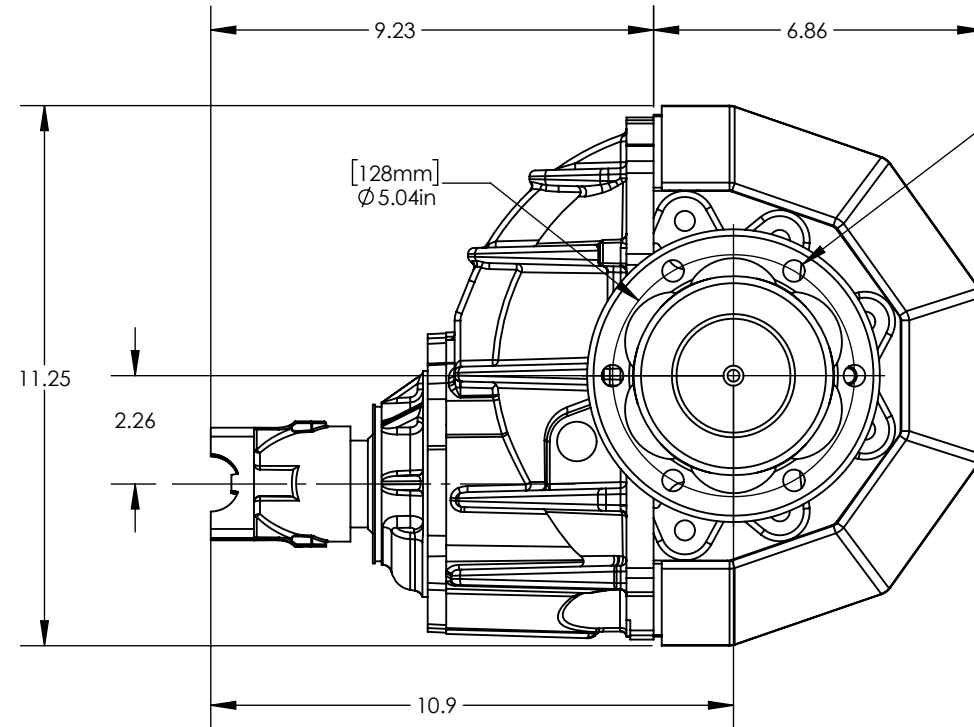
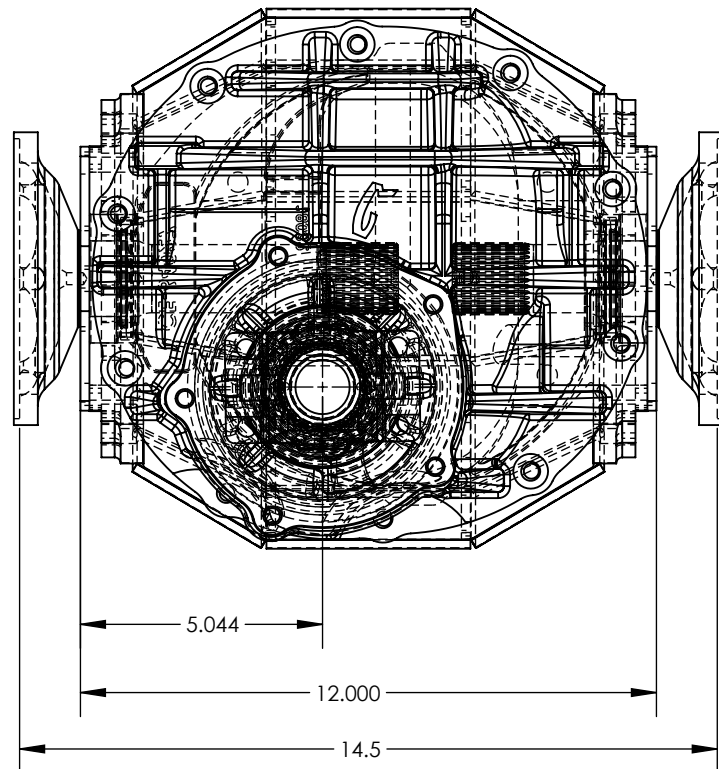
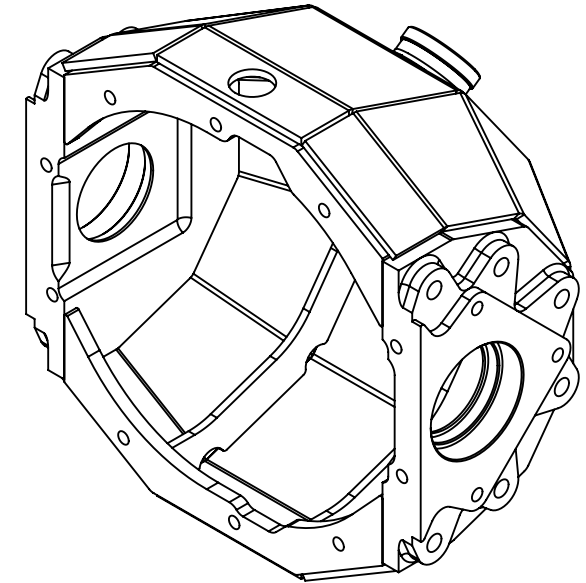
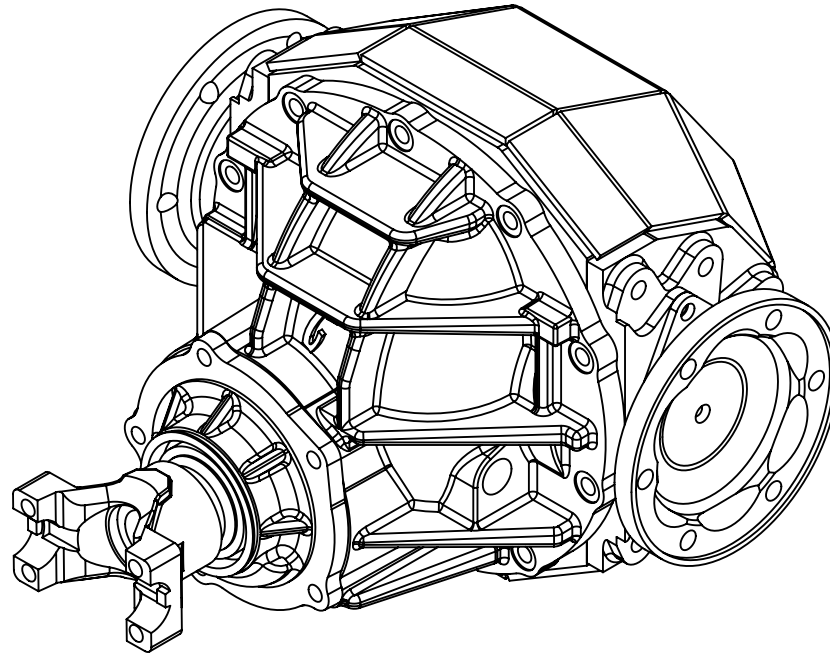
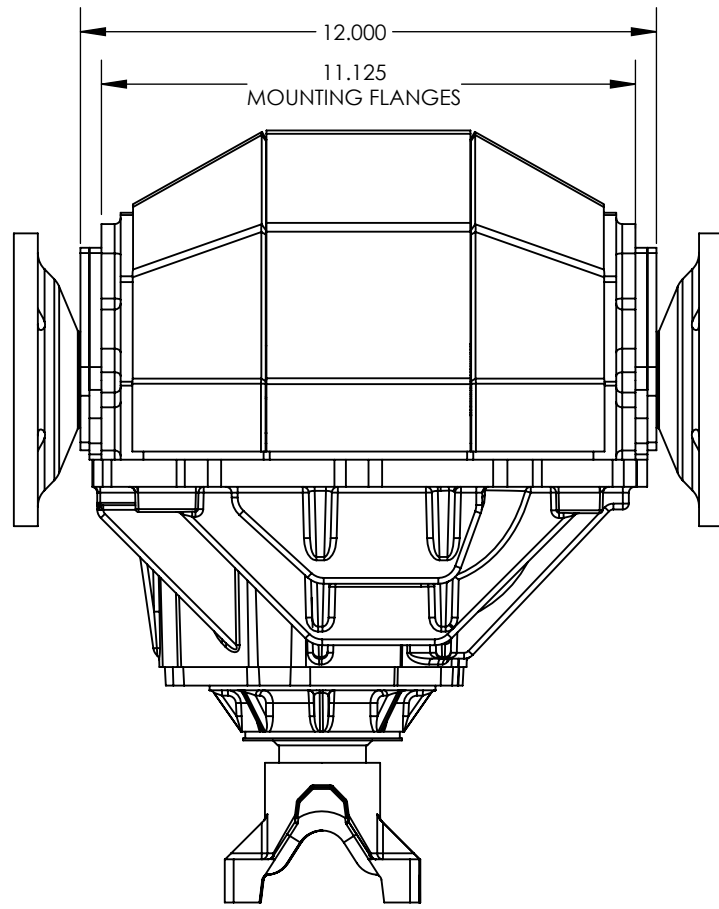


4

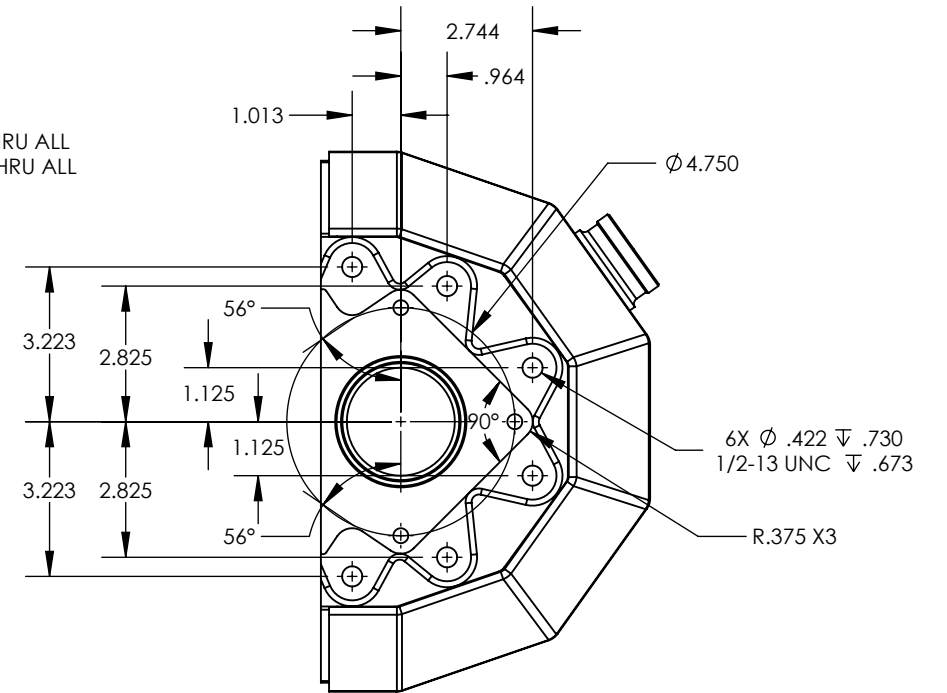
3

2

1



6X Ø .453 THRU ALL
1/2-20 UNF THRU ALL



UNLESS OTHERWISE SPECIFIED:		NAME	DATE
DIMENSIONS ARE IN INCHES		DRAWN	HV
TOLERANCES:		CHECKED	
ONE PLACE DECIMAL ± 0.03		ENG APPR.	
TWO PLACE DECIMAL ± 0.01		MFG APPR.	
THREE PLACE DECIMAL ± 0.005		Q.A.	
ANGULAR:		CURRIE 382 NORTH SMITH CORONA, CA 92878 CURRIE FABRICATED HOUSING INDEPENDENT CENTER - 35 SPLINE AXLES - SERIES 30 CV AXLES - HOUSING VENT LOOSE/NOT DRILLED - COMPLETE KIT W/MOUNTING PLATES - 14.5 WIDE FLANGE TO FLANGE	
MATERIAL		SIZE	PART NO.
FINISH		B	CE-4305A
HEAT TREAT		SCALE: 1:4	WEIGHT:
PROPRIETARY AND CONFIDENTIAL THE INFORMATION CONTAINED IN THIS DRAWING IS THE SOLE PROPERTY OF CURRIE ENTERPRISES. ANY REPRODUCTION IN PART OR AS A WHOLE WITHOUT THE WRITTEN PERMISSION OF CURRIE ENTERPRISES IS PROHIBITED.		REV	A
		SHEET 1 OF 1	

4

3

2

1

B

B

A

A